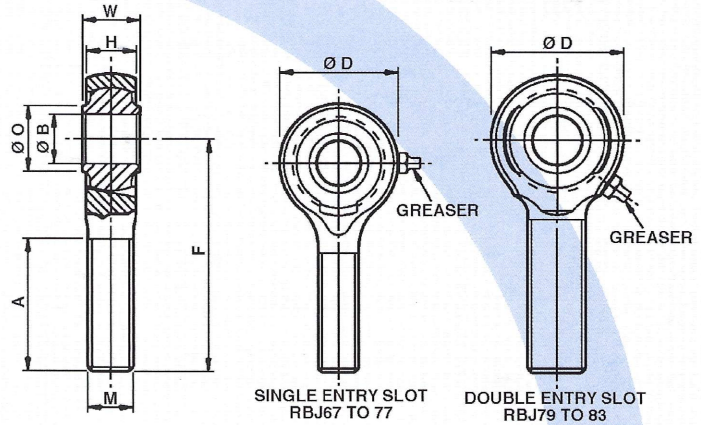


### Rod End housing

Nickel chromium molybdenum steel  
Heat treated to 80/90 tons/in<sup>2</sup>  
Tensile  
Phosphated all over

### Ball

1% carbon chromium steel  
Heat treated  
Phosphated all over



For tight fit add suffix 'TF' to part no. Eg. RBJ71MKTf  
Suffix 'G' in part no. denotes grease nipple

Rose part no	B	W	H	O	D	F	A	M		X	Max static radial load	Weight
	Bore dia	Ball width	Head width	Ball face dia	Head dia	Centre length	Thread length	Thread size	Thread hand	Angle		
RBJ	H7	+0 -0,12	+0,12 -0,12	Min	+0,25 -0,25	+0,25 -0,25	+1,0 -0	ISO med fit		deg	N	kg
67M	6	9,5	8,1	9,5	20,6	41,5	26	M8 x 1,0	RH	22	11770	0,026
67MK	6	9,5	8,1	9,5	20,6	41,5	26	M8 x 1,25	RH	22	11770	0,026
68M	6	9,5	8,1	9,5	20,6	41,5	26	M8 x 1,0	LH	22	11770	0,026
68MK	6	9,5	8,1	9,5	20,6	41,5	26	M8 x 1,25	LH	22	11770	0,026
70M	8	11,0	9,5	11,0	23,8	47,5	31	M10 x 1,25	RH	21	19610	0,043
70MK	8	11,0	9,5	11,0	23,8	47,5	31	M10 x 1,5	RH	21	19610	0,043
71M	8	11,0	9,5	11,0	23,8	47,5	31	M10 x 1,25	LH	21	19610	0,043
71MK	8	11,0	9,5	11,0	23,8	47,5	31	M10 x 1,5	LH	21	19610	0,043
	H7	+0 -0,12	+0,12 -0,12	Min	+0,75 -0,25	+0,25 -0,25	+1,0 -0					
73M	10	14,2	12,2	14,2	31,0	60,5	40	M12 x 1,25	RH	22	27460	0,098
73MK	10	14,2	12,2	14,2	31,0	60,5	40	M12 x 1,75	RH	22	27460	0,098
74M	10	14,2	12,2	14,2	31,0	60,5	40	M12 x 1,25	LH	22	27460	0,098
74MK	10	14,2	12,2	14,2	31,0	60,5	40	M12 x 1,75	LH	22	27460	0,098
76MG	12	19,0	16,2	19,0	41,2	76,0	50	M16 x 1,5	RH	22	49030	0,220
76MGK	12	19,0	16,2	19,0	41,2	76,0	50	M16 x 2,0	RH	22	49030	0,220
77MG	12	19,0	16,2	19,0	41,2	76,0	50	M16 x 1,5	LH	22	49030	0,220
77MGK	12	19,0	16,2	19,0	41,2	76,0	50	M16 x 2,0	LH	22	49030	0,220
79MG	16	22,2	19,0	22,2	49,2	89,0	59	M20 x 1,5	RH	21	77470	0,313
80MG	16	22,2	19,0	22,2	49,2	89,0	59	M20 x 1,5	LH	21	77470	0,313
82MG	20	22,2	20,6	25,4	54,0	101,5	69	M24 x 2,0	RH	16	110810	0,400
83MG	20	22,2	20,6	25,4	54,0	101,5	69	M24 x 2,0	LH	16	110810	0,400

Dimensions in millimetres

Diametral clearance		
Bore size	Normal fit mm	Tight fit mm
67M to 74M	0 to 0,033	0 to 0,018
76M to 83M	0 to 0,040	0 to 0,020

For other sizes and options please contact Rose Bearings.

Please consult Rose Bearings for availability of bearings in this series.

Rose Bearings operates a policy of continual improvement, and therefore reserves the right to revise specifications without notice.